

## **Invisishield™ Drapes**

Unique products to help improve safety and patient care

# Equipment Drapes

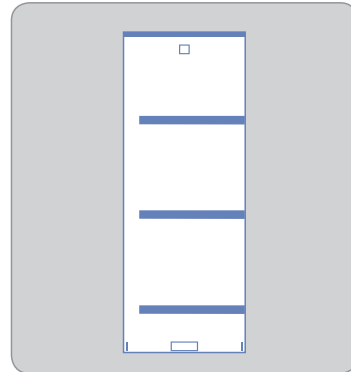
## FULL-SIZE C-ARM DRAPES

### DESCRIPTION

- 3 adhesive poly straps for securement
- Clear, drapeable poly film

ICE4400R: has 2 latex-free elastic bands for additional securement

Item No.	Dimensions	Pkg.
ICE4400	104 x 188 cm	20 ea/cs
ICE4400R	104 x 188 cm	20 ea/cs

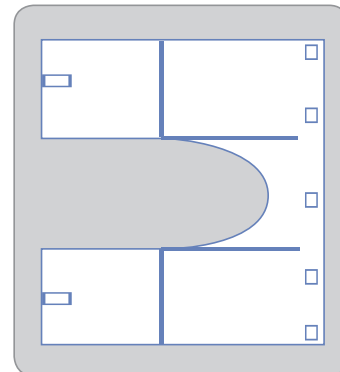


## CONTOURED C-ARM DRAPES

### DESCRIPTION

- 4 adhesive poly straps for securement
- Clear, drapeable poly film
- Contoured to fit full C-arm

Item No.	Dimensions	Pkg.
ICE4430	152 x 267 cm	20 ea/cs



## MINI C-ARM DRAPES

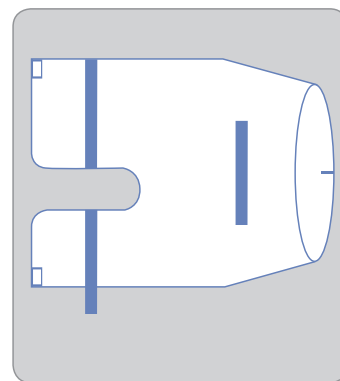
### DESCRIPTION

- Held in place with an elastic band on the back
- 3 adhesive poly straps for additional securement
- Clear, drapeable poly film

ICE4410: fits Fluoroscan® mini C-arm models

ICE4420: fits Fluoroscan® and OEC6600/6800 mini C-arm models

Item No.	Dimensions	Pkg.
ICE4410	137 x 160 cm	20 ea/cs
ICE4420	137 x 216 cm	20 ea/cs



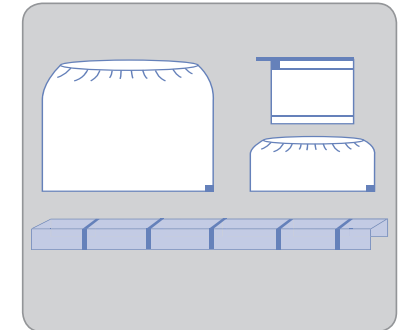
# Equipment Drapes

## FULL-SIZE C-ARM KITS

### DESCRIPTION

- Clear, drapeable poly film
- Latex-free bands

Item No.	Dimensions	Pkg.
ICE4500	Intensifier drape (1): 91 x 91 cm C-Arm drape (1): 41 x 218 cm Footswitch drape (1): 46 x 41 cm Banded bag (1): 71 x 31 cm	20 ea/cs

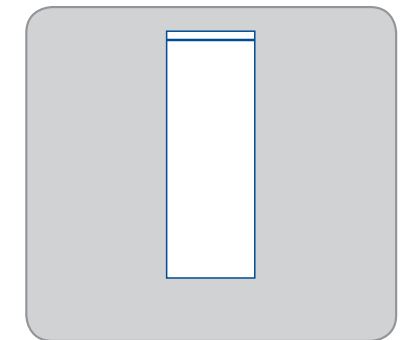


## REMOTE CONTROL COVERS

### DESCRIPTION

- Clear poly film bag
- Pinch-top closure

Item No.	Dimensions	Pkg.
DYNJE4635	10 x 28 cm	50 ea/bx; 200 ea/cs
DYNJE4641	18 x 35 cm	50 ea/bx; 200 ea/cs



## VIDEO CAMERA COVERS

### DESCRIPTION

- Adhesive poly strap for holding it in place
- Adhesive strip at base for additional securement
- Clear, drapeable poly film
- Cable cover

Item No.	Dimensions	Pkg.
ICE4250	13 x 244 cm reverse	25 ea/cs
ICE4300	23 x 244 cm reverse	25 ea/cs
ICE4240	13 x 240 cm telescopic with tab	25 ea/cs
ICE4260	15 x 240 cm with ring	25 ea/cs
ICE4270	14 x 244 cm concertina	25 ea/cs
ICE4200	18 x 244 cm elastic end	25 ea/cs
ICE4100	8 x 200 cm telescopic with tab	25 ea/cs

